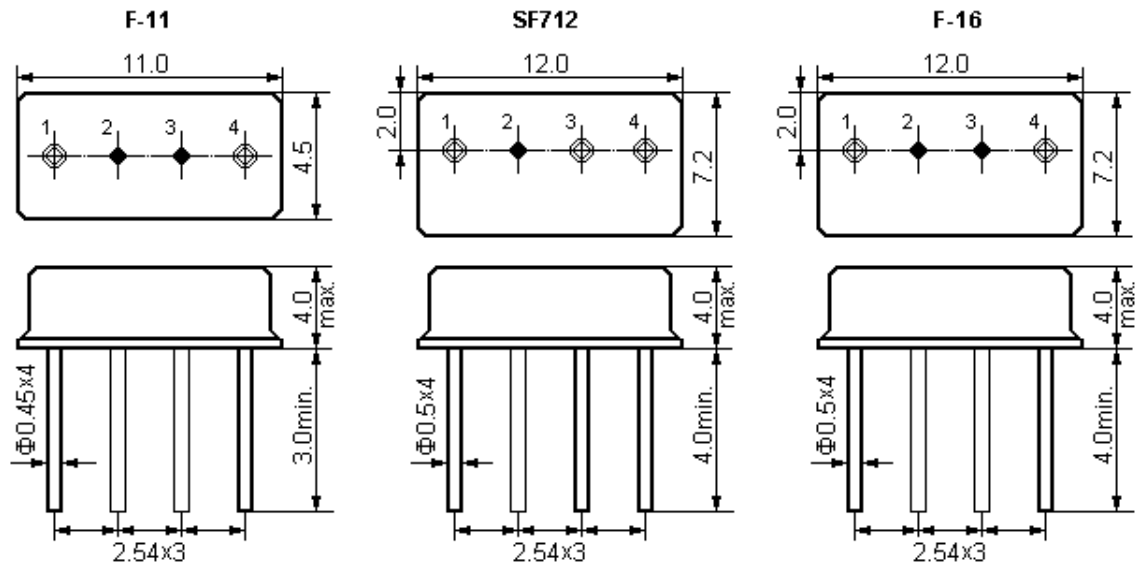
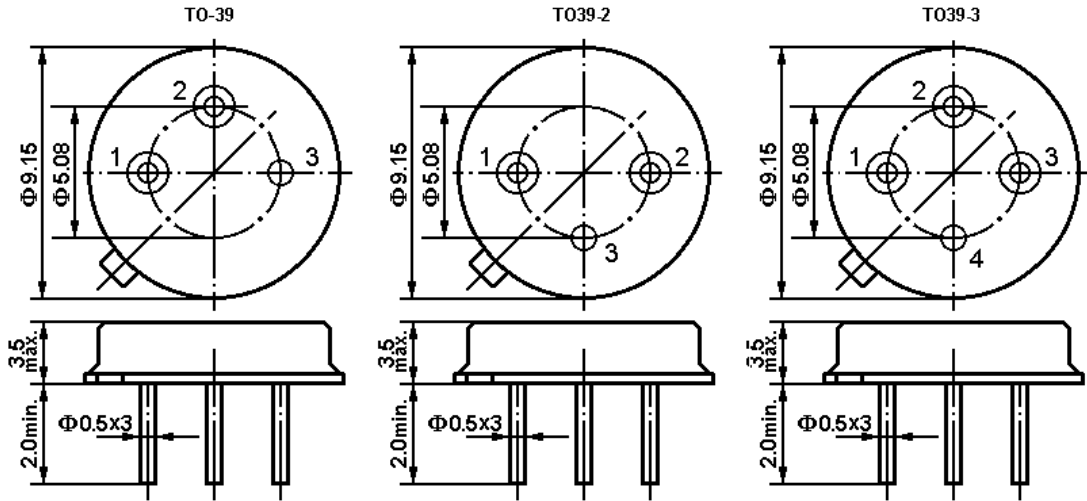
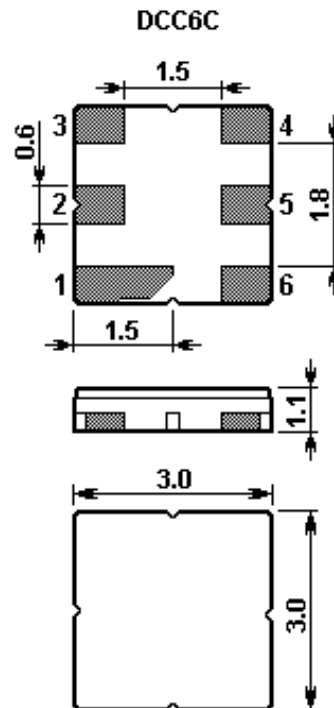
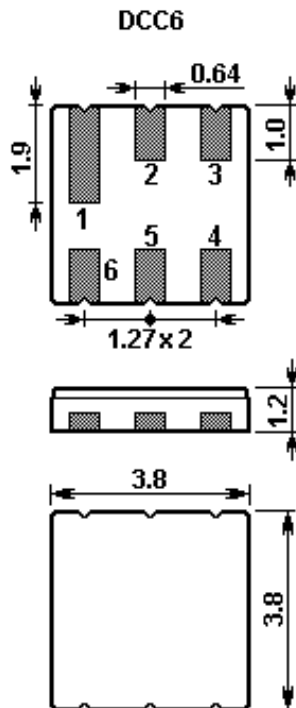
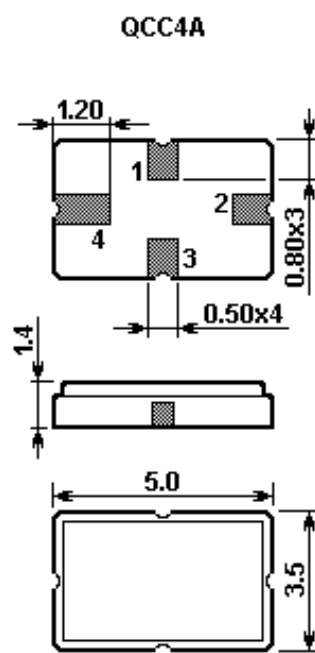
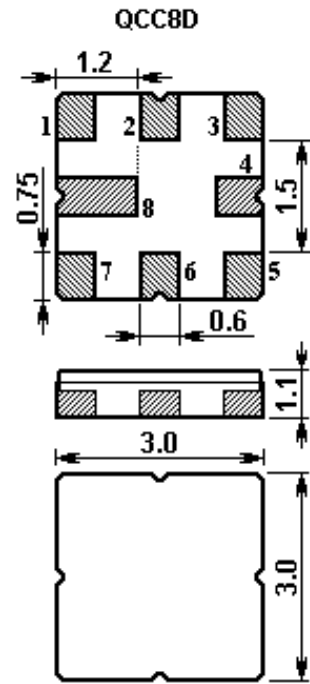
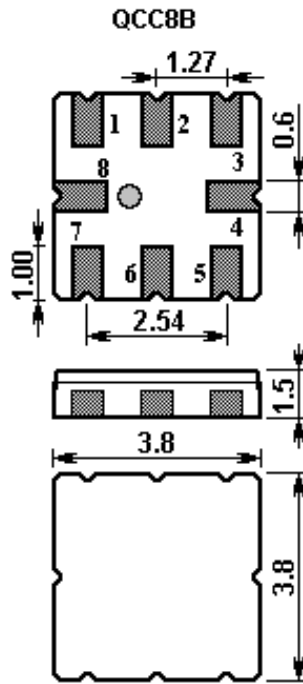
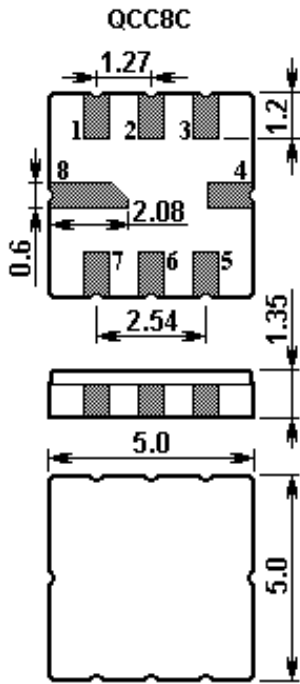


PACKAGE DIMENSION

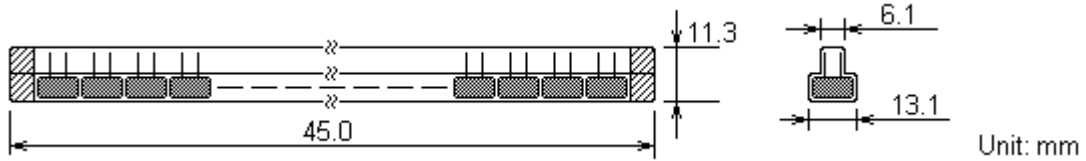




**PACKING INFORMATION**

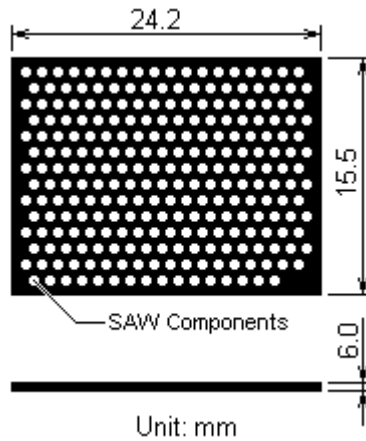
**Lead Type**

TO39 SERIES (In Tube Packing)



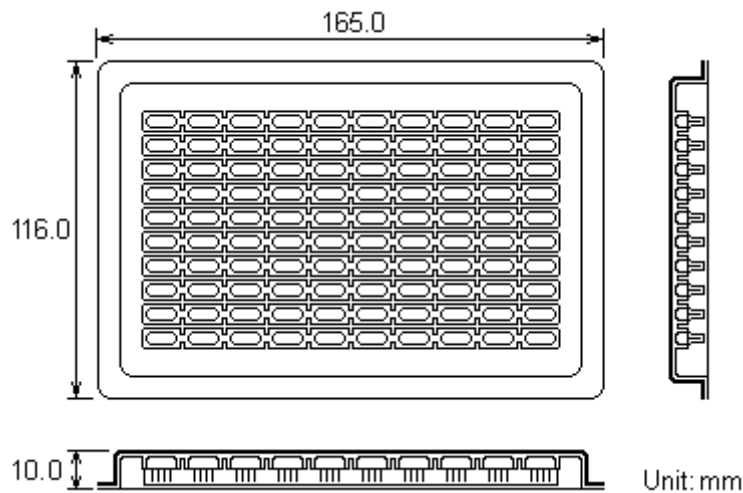
Components are packed in transparent plastic tube. Each plastic tube contains 50 components. 10 tubes are tied up a bundle by transparent adhesive tape (500 pieces). Each inner carton box contains 10 bundles (5000 pcs). Each outer carton box contains 2 inner boxes (10000 pcs).

TO39 SERIES (In Sheet Packing)



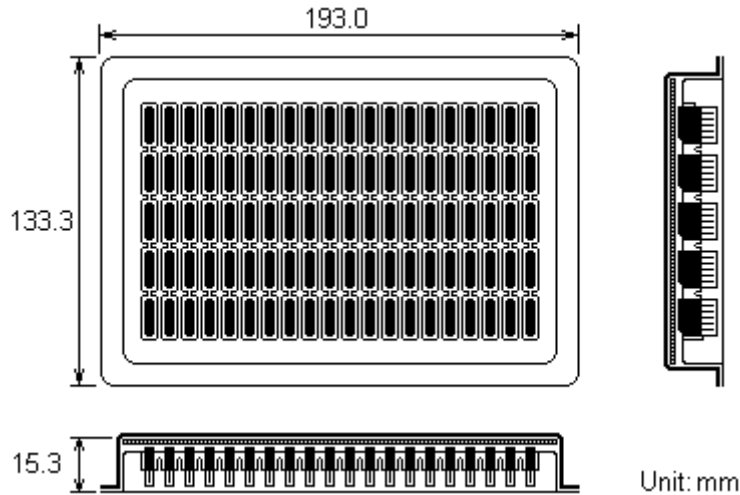
Components are inserted on layer of anti-static sheet. Each layer contains 250 components. Each small paper box contains 10 layers of anti-static sheet (2500 pcs). Each carton box contains 4 small paper boxes (10000 pcs).

F-11 (In Box Packing)



Components are packed in transparent plastic box with cover. Each plastic box contains 100 components. A small plastic bag contains 5 boxes (500 pcs) and a big one, 10 boxes (1000 pcs). 8 big bags and 4 small bags are packed into a carton box (10000 pcs).

**SIP5D/SIP5K (In Box Packing)**

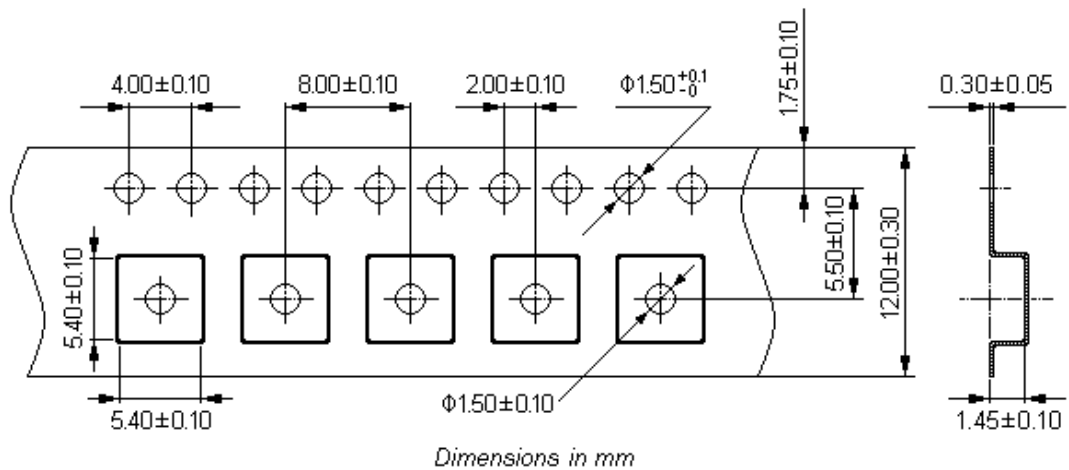


Components are packed in transparent plastic box with cover. Sheets of Styrofoam are placed between cover and the top of components. Each plastic box contains 100 components.

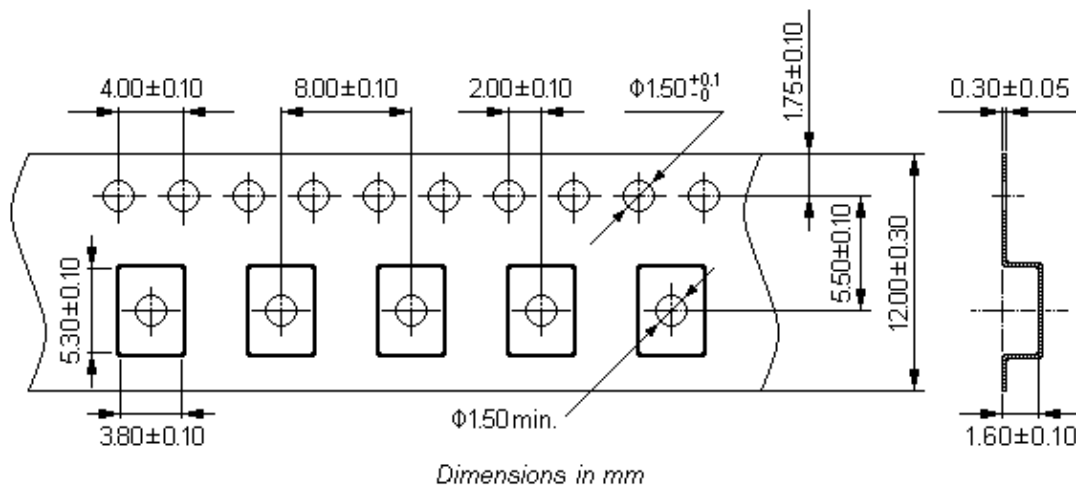
**SMD Type**

**TAPE 1:** All dimensions meet EIA-481-1-A requirements.

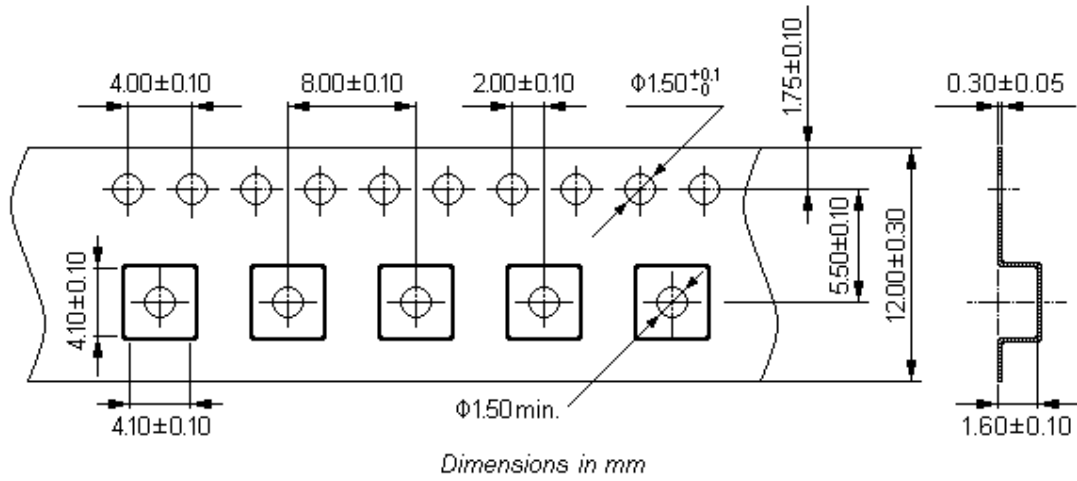
**QCC8C (5.0 × 5.0)**



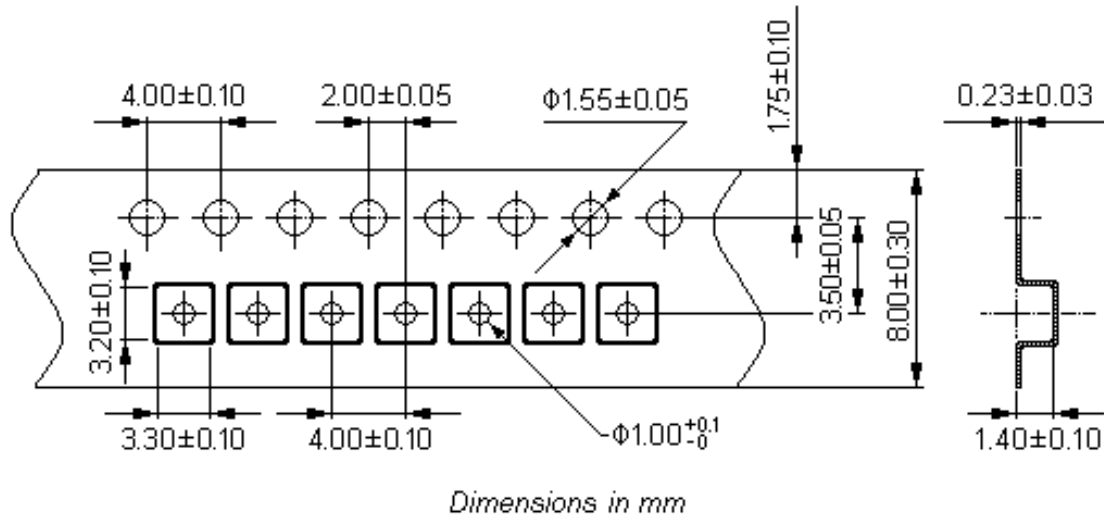
**QCC4A (5.0 × 3.5)**



QCC8B (3.8 × 3.8) & DCC6 (3.8 × 3.8)

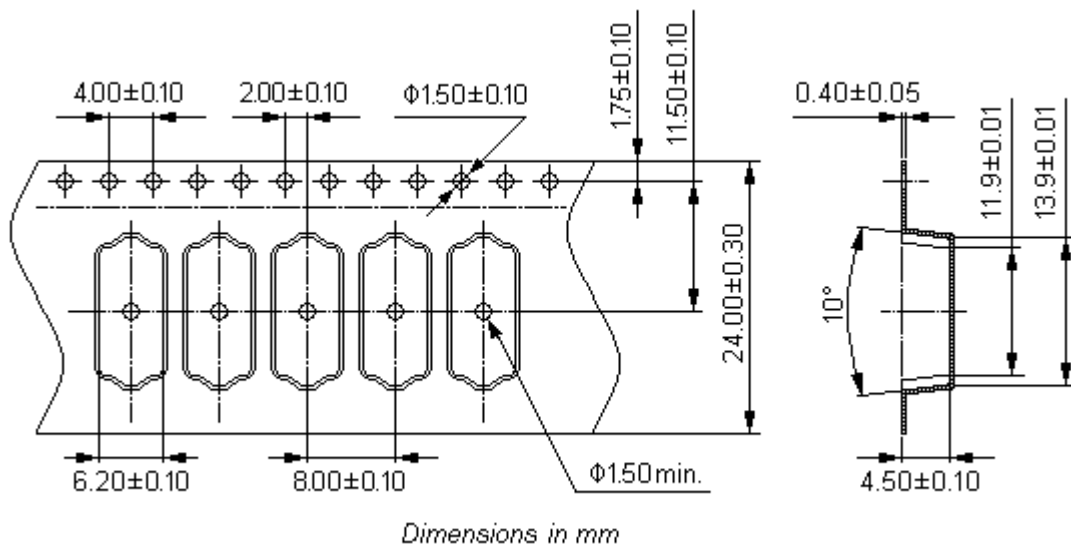


DCC6C (3.0 × 3.0)

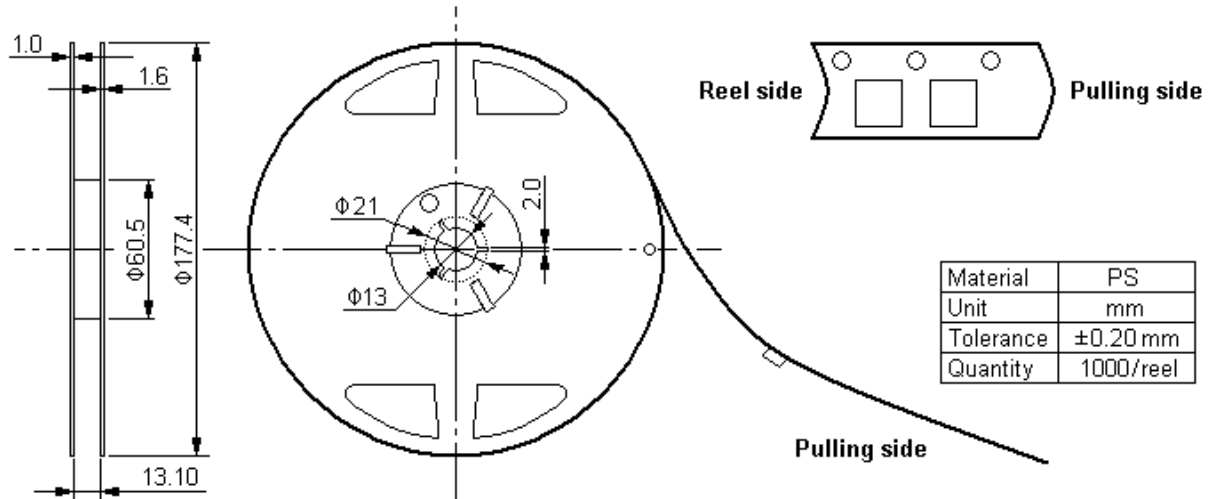


**TAPE 2:** All dimensions meet EIA-481-2 requirements.

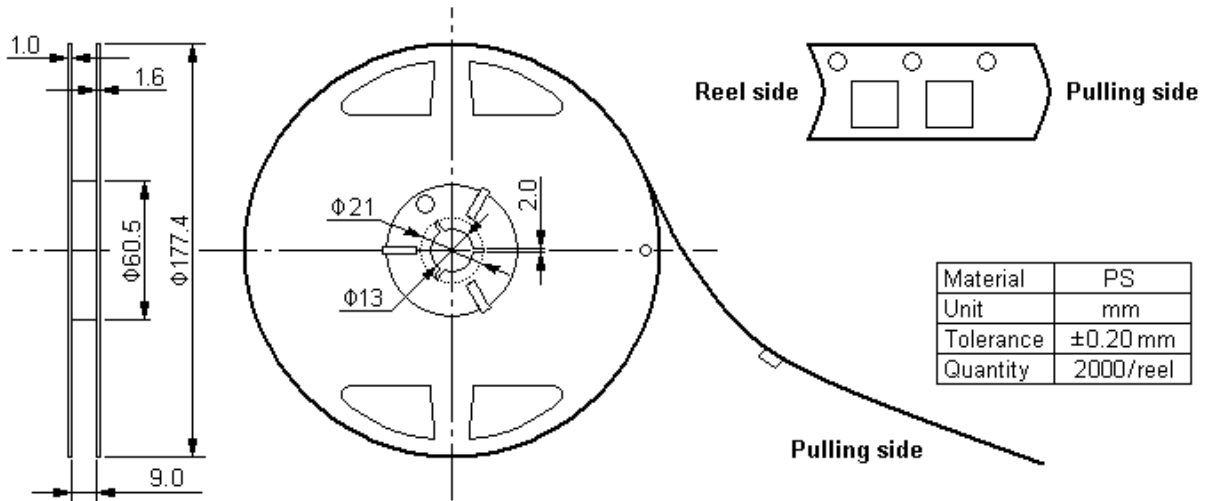
F11SMD



**Reel 1** (for QCC8C, QCC4A, QCC8B & DCC6)



**Reel 2** (for DCC6C)



**Reel 3** (for F11SMD)

