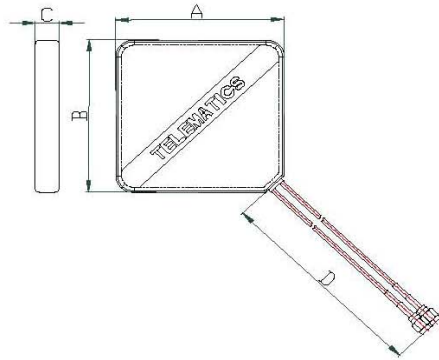
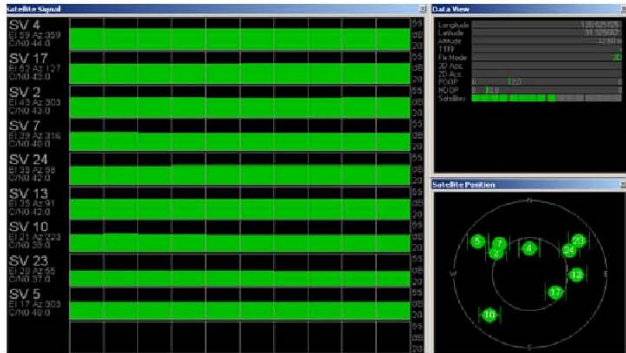
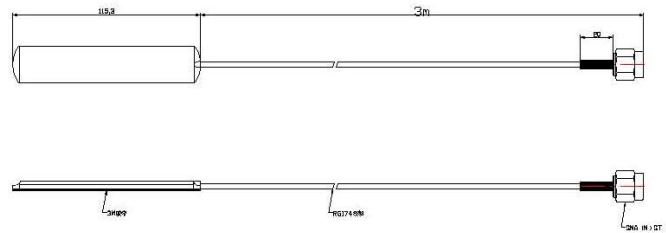


GGPS Module



GSM antenna



GGPS Module ELECTRICAL SPECIFICATION

Part No.	Frequency Range	Noise Figure	Output Band Rejection	V.S.W.R	Operation Voltage	Current Consumption	Output Impedance	LNA Gain
HU1524111A	1575.42 ± 5 MHz	1.5dBMax (+23°C) , 2.0dBMax (+90°C)	-25dBC@1475MHZ -30 dBC @ 1675 MHz	2.0:1 (Max)	3.0[V] ± 0.3[V]	9mA(typical) 14 mA (Max)	50 Ω	24dB typical

GGPS Module MEASUREMENT TEST SPECIFICATION

Part No.	DIMENSION (A) (B)	HEIGHT (C)	RF Cable	RF Connector	RECEIVE SATELLITE No.	SNR	GPS SIMULATOR TEST	PDOP	GSM1 VSWR GSM2 VSWR
HU1524111A	92 ± 0.40mm	13± 0.20mm	RG174. 1890/1860[mm] ±10[mm]	SMA(M) 50 Ω	> 5	<5.0	Ca. / No.≥ 50	> 46 (2of5)	≤2.0/1 @ 880-960MHz <2.0/1 @ 1700-1900MHz

GSM antenna SPECIFICATION

Part No.	Frequency Range/MHZ	V.S.W.R	RF Connector	RF Cable	Dimension/ mm	Polarization	Impedance	LNA Gain	Operating Temperature
RU0903011A	870-960 1710-1880	≤2.0	SMA(M) 50 Ω	RG174-3M	115×21.5×5.5	Vertical	50Ω	3dBi	-40°C+60°C