

APPROVAL SHEET

SURFACE-ACOUSTIC-WAVE OSCILLATOR PART NO.: WBOS9001

Product Type:		Customer:	
SAW Oscillator			
Part NO.:		Customer Part NO.:	
WBOS9001			
Ver. Ctrl.:		Issued Date:	
OS9001-080623 -v1.0			

PREPARED BY	CHECKED BY	APPROVED BY

Part No.	:	WBOS9001
Pages	:	3
Data	:	2008-06-23
Revision	:	OS9001-080623 -v1.0


Add : 215-3751 Jacombs Road,
Richmond, B. C. Canada V6V 2R4
Phone : 604-821-1168
Fax : 604-821-1623
E-mail : sales@worldbond.com
Website : <http://www.worldbond.com>

Features

- Provides reliable, fundamental mode, quartz frequency stabilization
- Lead-free production and RoHS compliance

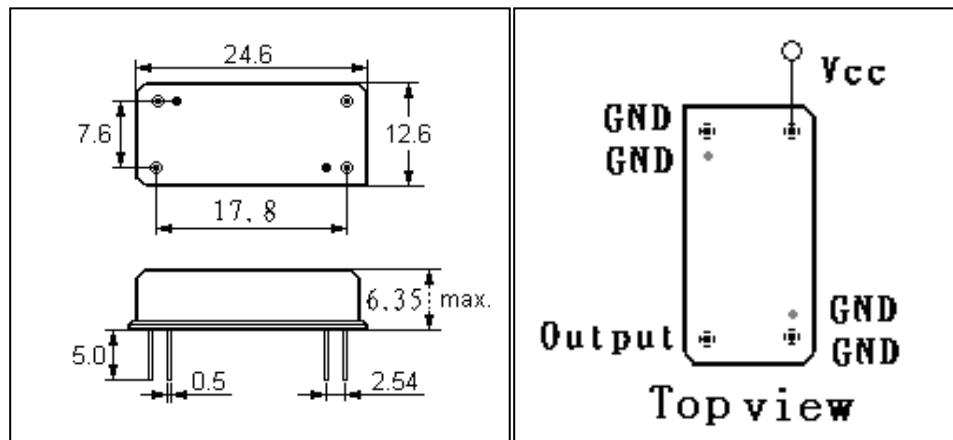
Electrical Characteristics

Characteristic		Sym	Minimum	Typical	Maximum	Unit
Center Frequency	Absolute Frequency	f_c	1029.80	1030.00	1030.20	MHz
	Tolerance from 1030.000 MHz	Δf_c			± 200	kHz
RF Output Power		P_o	10	12	14	dBm
DC Power Supply	Operating Voltage	V_{cc}	11.75	12	12.25	VDC
	Operating Current	I_{cc}		45	60	mA
Discrete Spurious	Second Harmonics			-25	-20	dBc
	Third and Higher Harmonics			-35	-30	
	Nonharmonic			<-100	-80	
SSB Phase Noise	1KHz Offset			-100	-90	dBc/Hz
	10KHz offset			-120	-110	
RF Impedance	Nominal Impedance	Z_o		50		Ω
	Operating Load VSWR	G_L			1.5:1	
Operating Ambient Temperature		T_A	-45		+85	$^{\circ}\text{C}$

 RoHS Compliant

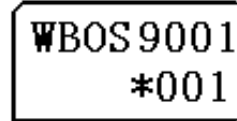
 Electrostatic Sensitive Device

Package Dimension (DIP2412)



==Marking

- The logo "WB" indicates our product's mark
- The character "OS" indicates the type of SAW component
Including: OS(oscillator), F (filter), R (resonator) etc.
- The "9001" indicates the model name of SAW component
- The character "*" indicates the month code in a year



	1	2	3	4	5	6	7	8	9	10	11	12
2005	A	B	C	D	E	F	G	H	J	K	L	M
2006	N	P	Q	R	S	T	U	V	W	X	Y	Z
2007	a	b	c	d	e	f	g	h	j	k	l	m
2008	n	p	q	r	s	t	u	v	w	x	y	z

- The characters "001" indicate the lot number of mounting
Including: 001~999

Performance

